

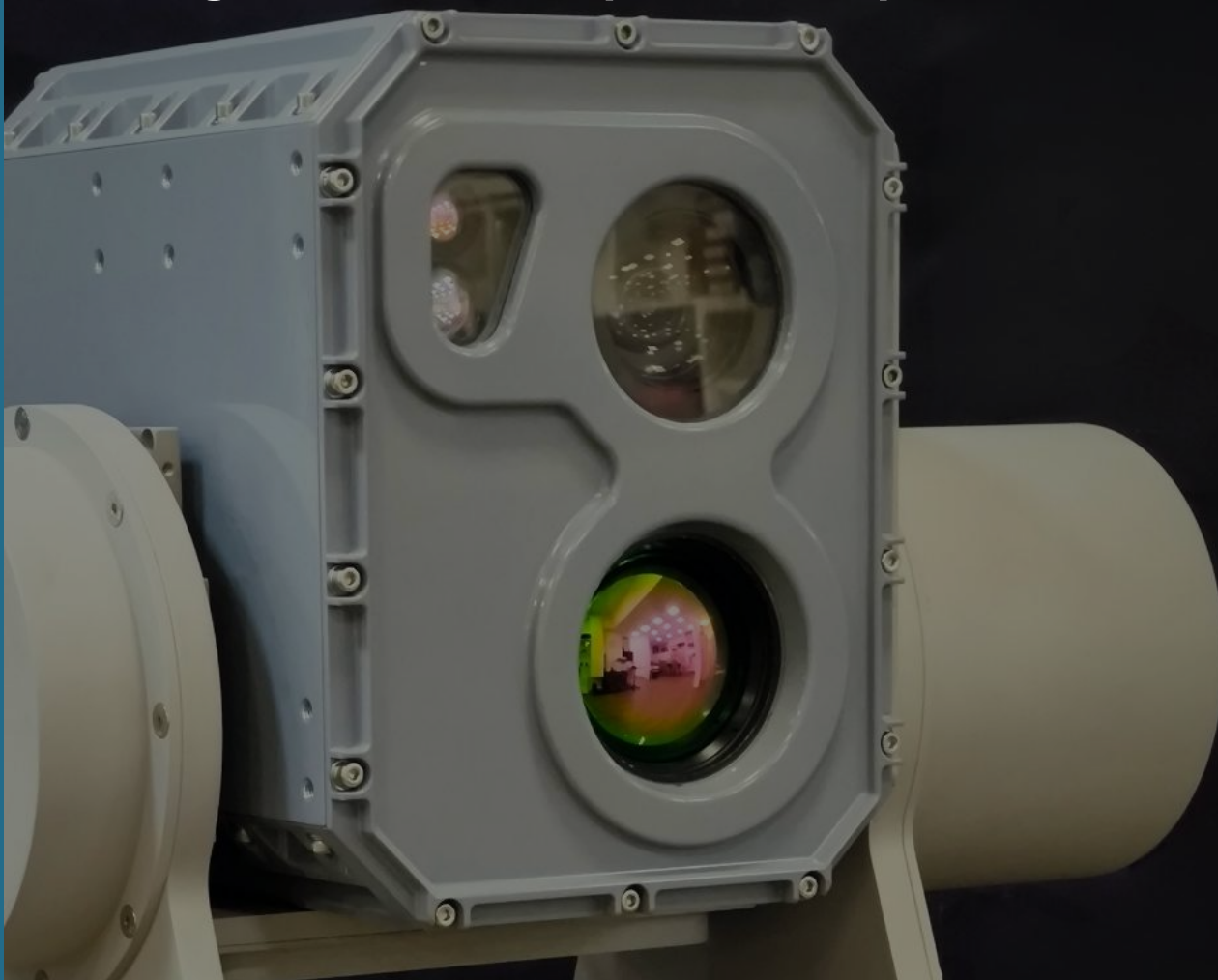
2026 PRODUCT CATALOG

INTEGRATED ELECTRO-OPTICS PLATFORMS



DEEPSIGHT

Integrated Electro-Optic Development Platform



DETECT. IDENTIFY. DOMINATE.

SightDESK.	complete software solution, control center application
Live Streaming.	Fusion Day Night Scene Real-Time Streams
Telemetry Data.	Detectors, Trackers, LRF, Pan Tilt Data, INS
Geo-Position.	INS, GPS, Compass, IMU, GYRO, Mapping
Fire-Detector.	Day and Night fire risk detection
Storage.	Video/Audio Storage Manager, Logger
Alerts.	Alert manager. IO connectivity and LAN/WAN alerts
ATR.	Target Detection / Tracking / PTZ Tracker
Stabilization.	EIS (3 Axis Image) and Gyro Stabilization
Panorama.	Panorama Generator. Live Field of View control, Presets
Customized GUI.	Win forms or Web
Code.	Ready to run Code examples and Open Source .Net software interface
Discovery Tool.	Open-source discovery tool with your brand
Secured VLAN.	with Single IP Address to the device

DEEPSIGHT

Integrated Electro-Optic Development Platform

SIGHT IS QUALIFIED:

MIL-STD-810G FOR THE FOLLOWING PROCEDURES:

High Temp. - Method 501.6, Procedure I Storage high temp 168H

Low Temp. - Method 502.6, Procedure I Storage low temp 24H

High Temp. - Method 501.6, Procedure II Operation high temp 24H

Low Temp. - Method 502.6, Procedure II Operation low temp

Temperature Shock -Method 503.6,63/-33, 1 cycle

Vibration - method 514.7, transportation highway,1h each axis total 3h

Vibration - method 528.1, operational 15 sec each frequency, endurance 2h

Shock - method 516.7, Procedure I,40g/11ms

Dust -method 510.6, procedure I

Salt Fog, total 96h

SAND -Method 510.6, procedure II

Humidity - Method 507.6, Procedure II, 240H

Sealing test towards IEC60529 IP67 code

Solar radiation - Method 505.4 procedure I – 72h

Rain - Method 506.4, Procedure II, 15minutes

Fluids contamination - Method 504.3

MIL STD 461F EMI RFI

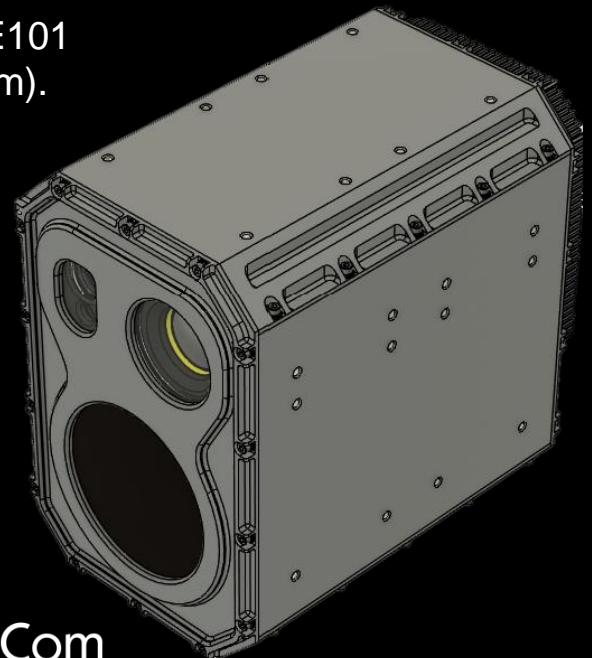
CE101, CE102, CS101, CS114, CS116, RE101

RE102, RS101, RS103 (2Mhz-18Ghz;50V/m).

Tested by:



ISRAEL TESTING LABORATORIES
Global Certifications You Can Trust



DEEPSIGHT

Integrated Electro-Optic Development Platform

MODEL	MWIR 15-300	LWIR 25-150	LWIR 20-100	LWIR HD 25-75
LOW LIGHT DAY SENSOR	3.0MP Global Shutter Zoom Block Optical x30 Digital x16 Resolution 2048x1536 @ 30fps Focal Length 5.5mm-165mm FOV 46.5° - 2.2° Or 3.7MP SONY IMX675 Zoom Block Optical x40 Digital x32 Resolution 2560x1440 @ 30fps Focal Length 4.25mm-170mm FOV 73.8° - 2.16°			
DAY WINDOW	SAPPHIRE			
NIGHT SENSOR	COOLED MWIR x20 Zoom 15-300 mm F4.0 FOV 1.83° to 35.5°	LWIR 640x512 x6 Zoom 25-150mm FOV 17,5° to 2,93°	LWIR 640x512 x5 Zoom 20-100mm FOV 22,5° to 4,4°	LWIR 1280x1024 x3 Zoom 25-75mm FOV 32°to 10.9°
NIGHT GLASS	GE/SILICON windows, Size: φ92.6x5mm, AR/DLC			
POSITION	Horizontal / Vertical Installation			
THERMAL DRI – Detection, Recognition, Identification				
DETECTION (m) Human/NATO target	8,660/14,500	4,300/9,583	2,886/6,388	2,165/4,791
RECOGNITION (m) Human/NATO target	4,330/9,583	2,165/4,791	1,443/3,194	1,082/2,395
IDENTIFICATION (m) Human/NATO target	3,247/7,187	1,623/3,593	1,082/2,395	812/1,797
LRF Laser Range Finder	•8KM NATO Target, Precision 0.01 – 0.5 m, Beam divergence 0.6 mrad, Eye safe Laser Class 1			
NPU	CPU Intel® Core™ Ultra Processors ,RAM 64GB, SSD 1TB ,INTEL® ARC™			
POWER	12-40 VDC 120W Max. MIL.STD704, MIL.STD810G POWER STABILIZER			
DIMENSIONS (mm)	190 X 284 x 300 mm			
INTERFACE	ETHERNET INTERFACE			
CONNECTOR	Hermetic Stainless Steel D38999/23YC35PN			
WEIGHT (Kg)	9 kg	9 kg	9 kg	9 kg
IP RATE	Sealed IP67 Nitrogen Purged			

*DRI Calculation according to Johnson Criteria (Lines 3/6/8 D/R/I)

DEEPSIGHT

Integrated Electro-Optic Development Platform

MODEL	MWIR HD 15-300	SWIR HD 7.1-200	SWIR HD 17-510	LWIR HD 25-225
LOW LIGHT DAY SENSOR	3.0MP Global Shutter Zoom Block Optical x30 Digital x16 Resolution 2048x1536 @ 30fps Focal Length 5.5mm-165mm FOV 46.5° - 2.2° Or 3.7MP SONY IMX675 Zoom Block Optical x40 Digital x32 Resolution 2560x1440 @ 30fps Focal Length 4.25mm-170mm FOV 73.8° - 2.16°			
DAY GLASS	SAPPHIRE GLASS			
NIGHT SENSOR	COOLED HD MWIR x20 Zoom 15-300 mm F4.0 FOV 35.5° to 1.83°	SWIR 1280x1024 x28 Zoom 7.1-200mm FOV 48.5° to 1.83°	SWIR 1280x1024 x30 Zoom 17-510mm FOV 21.32° to 0.72°	LWIR 1280x1024 x9 Zoom 25-225mm FOV 34.2° to 3.9°
NIGHT GLASS	GE/SILICON windows			
POSITION	Horizontal / Vertical Installation			
THERMAL DRI – Detection, Recognition, Identification				
DETECTION (m) Human/NATO target	8,660/14,500	13,856/30,666	35,333/78,200	6,495/14,375
RECOGNITION (m) Human/NATO target	4,330/9,583	6,928/15,333	17,666/39,100	3,247/7,187
IDENTIFICATION (m) Human/NATO target	3,247/7,187	5,196/11,500	13,250/29,325	2,435/5,390
LRF Laser Range Finder	•8KM NATO Target, Precision 0.01 – 0.5 m, Beam divergence 0.6 mrad, Eye safe Laser Class 1			
NPU	CPU Intel® Core™ Ultra Processors ,RAM 64GB, SSD 1TB ,INTEL® ARC™			
POWER	12-40 VDC 120W Max. MIL.STD704, MIL.STD810G POWER STABILIZER			
DIMENSIONS (mm)	190 X 284 x 300 mm		352x275x360 mm	
INTERFACE	ETHERNET INTERFACE			
CONNECTOR	Hermetic Stainless Steel D38999/23YC35PN			
WEIGHT (Kg)	9 kg	16 kg	20 kg	23 kg
IP RATE	Sealed IP67 Nitrogen Purged			

*DRI Calculation according to Johnson Criteria (Lines 3/6/8 D/R/I)

DEEPSIGHT

Integrated Electro-Optic Development Platform

MODEL	MWIR HD 50-1000	LWIR HD 30-300	LWIR HD 25-225 PRO	SWIR HD 17-510 PRO
LOW LIGHT DAY SENSOR	1/1.8" 5MP Pregius S Global Exposure CMOS, 2448 × 2048, 5MP 20 ~ 1200mm ; 60× Optical, 16× Digital FOV 19.0° to 0.32°			
DAY GLASS	SAPPHIRE GLASS			
NIGHT SENSOR	COOLED HD MWIR x20 Zoom 50-1000 mm F4.0 FOV 14.6° to 0.7°	LWIR 1280x1024 x10 Zoom 30-300mm FOV 32° to 10.9°	LWIR 1280x1024 x9 Zoom 25-225mm FOV 34.2° to 3.9	SWIR 1280x1024 x30 Zoom 17-510mm FOV 21.32° to 0.72
NIGHT GLASS	GE/SILICON windows			
POSITION	Horizontal Installation			
THERMAL DRI – Detection, Recognition, Identification				
DETECTION (m) Human/NATO target	34,000/76,000	8,660/19,166	6,495/14,375	35,333/78,200
RECOGNITION (m) Human/NATO target	17,320/38,333	4,330/9,583	3,247/7,187	17,666/39,100
IDENTIFICATION (m) Human/NATO target	12,990/28,750	3,247/7,187	2,435/5,390	13,250/29,325
LRF Laser Range Finder	8Km or 17.6Km NATO Precision 0.01 – 0.5 m, Beam divergence 0.6 mrad, Eye safe Laser Class 1			
NPU	CPU Intel® Core™ Ultra Processors ,RAM 64GB, SSD 1TB ,INTEL® ARC™			
POWER	12-40 VDC 120W Max. MIL.STD704, MIL.STD810G POWER STABILIZER			
DIMENSIONS (mm)	376x629x536			
INTERFACE	ETHERNET INTERFACE			
CONNECTOR	Hermetic Stainless Steel D38999/23YC35PN			
WEIGHT (Kg)	55 kg	55 kg	30 Kg	30 Kg
IP RATE	Sealed IP67 Nitrogen Purged			

*DRI Calculation according to Johnson Criteria (Lines 3/6/8 D/R/I)

DEEPSIGHT

Integrated Electro-Optic Development Platform



MODEL	OWL	OWL225	OMEGA Ω	OWL1000
MOUNTING TYPE	U Mount	U Mount	Ω (OMEGA) TOP + Sides	U Mount
TILT	Max ±90° Deg Max. Motor Torque (NM) 35/ 50/ 150			
PAN	Cont. 360° Deg Motor Torque (NM) 35/ 50/ 150			
TRUE NORTH INS GPS	DUAL ANTENNA GNSS-AIDED INERTIAL NAVIGATION*			
MAX.SPEED	20 RPM, up to 120°/sec			
MAX. PAYLOAD	50 kg	50 kg	70 kg	70 Kg
DIMENSIONS LxWxH (mm)	416x210x442	505x255x624	794x210x419	777x765x629
WEIGHT(Kg)	22 kg	25 kg	32 kg	32 kg
IP RATE	IP66			
POWER	24 - 48VDC			

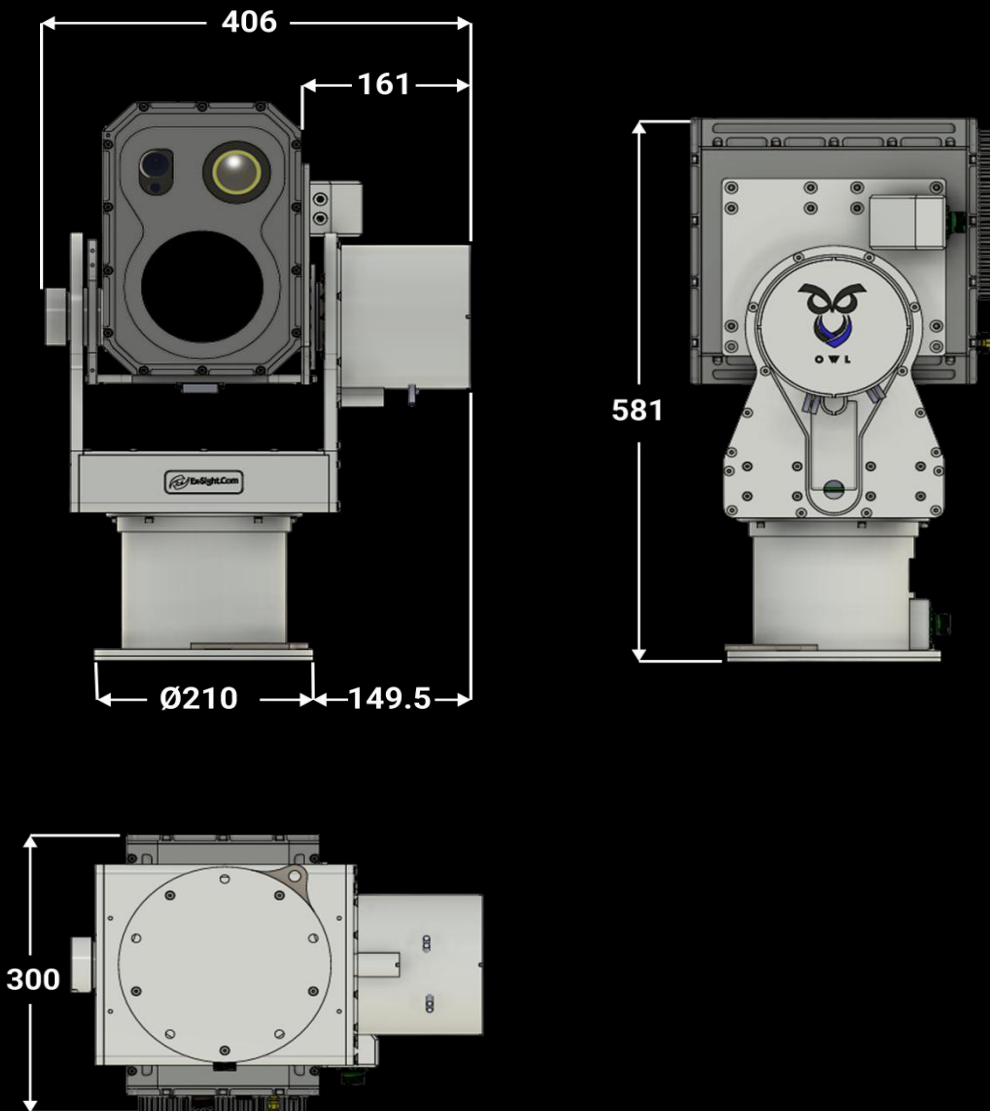
DEEPSIGHT

Integrated Electro-Optic Development Platform

MODELS: MWIR15-300 , LWIR 25-150, LWIR 20-100, LWIR HD 25-75, MWIR HD 15-300,
SWIR HD 7.1-200, SWIR HD 17-510

DIMENSIONS

PT OWL(LxWxH, mm) 406x300x581



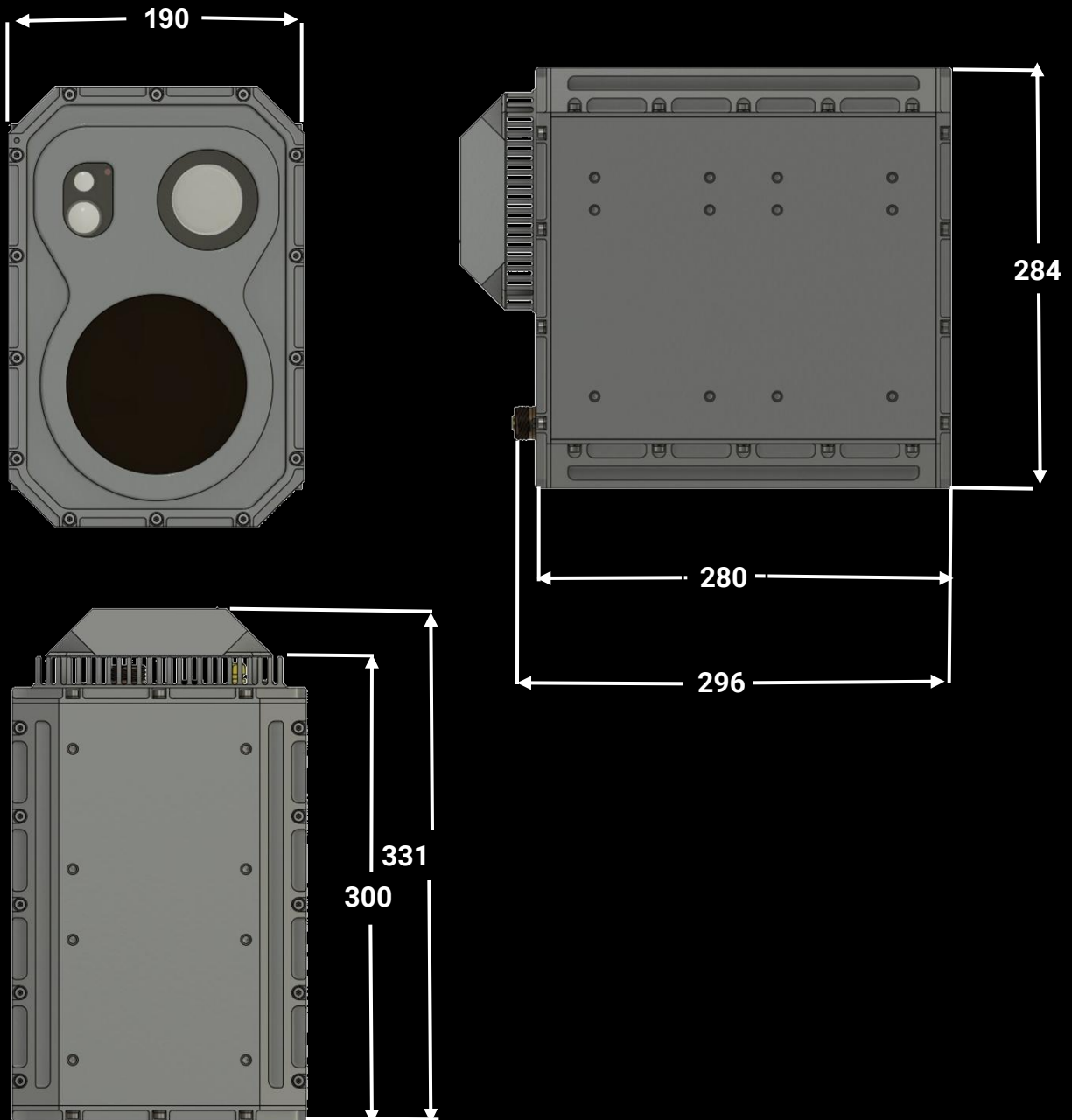
DEEPSIGHT

Integrated Electro-Optic Development Platform

MODELS: MWIR15-300 , LWIR 25-150, LWIR 20-100, LWIR HD 25-75, MWIR HD 15-300, SWIR HD 7.1-200, SWIR HD 17-510

DIMENSIONS

SIGHT (LxWxH, mm) 190x300x284



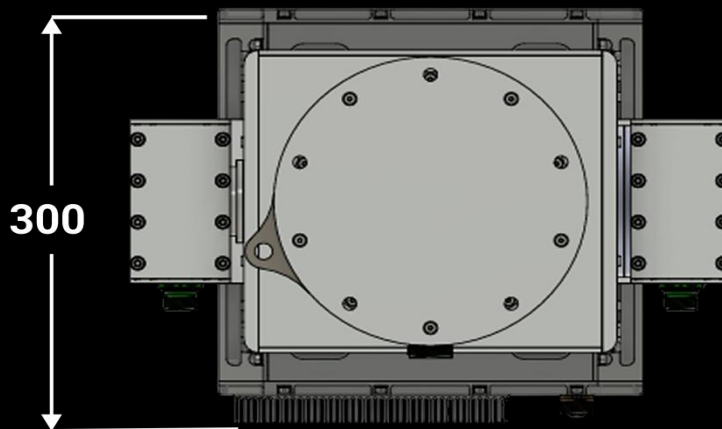
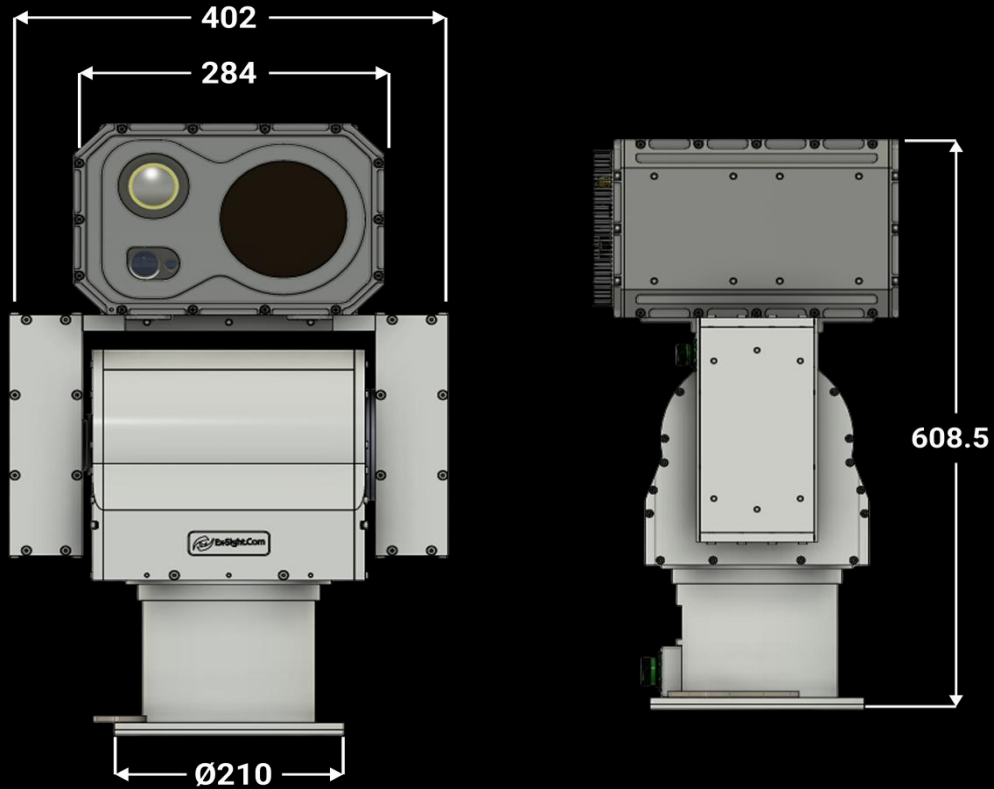
DEEPSIGHT

Integrated Electro-Optic Development Platform

MODELS: MWIR15-300 , LWIR 25-150, LWIR 20-100, LWIR HD 25-75
MWIR HD 15-300, SWIR HD 7.1-200, SWIR HD 17-510

DIMENSIONS

PT OMEGA (LxWxH, mm) 402x300x608.5



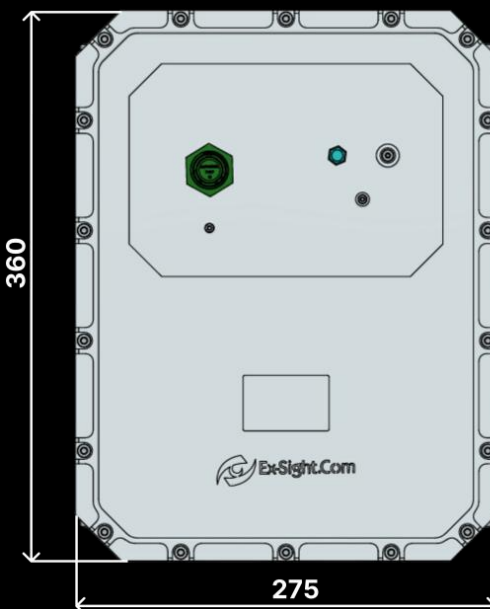
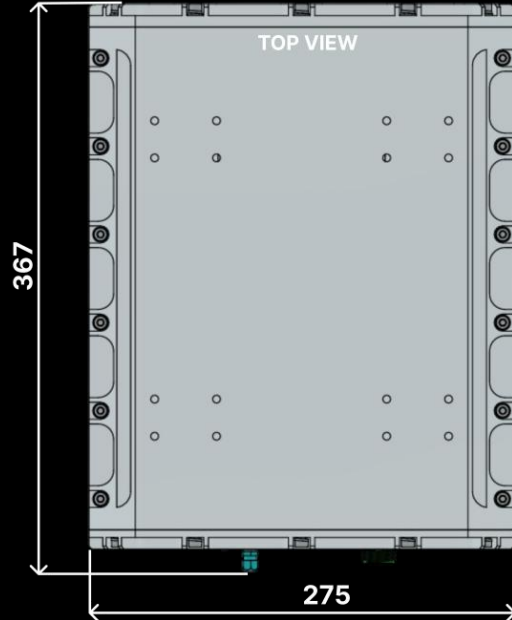
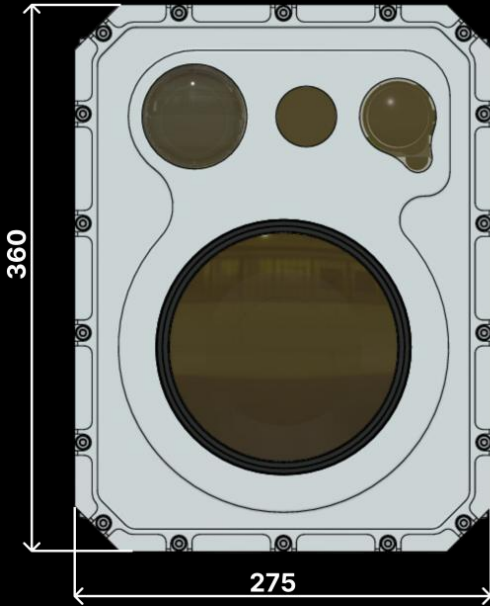
DEEPSIGHT

Integrated Electro-Optic Development Platform

MODELS: LWIR HD 25-225, SWIR HD 17-510

DIMENSIONS

SIGHT (LxWxH, mm) 275x367x360



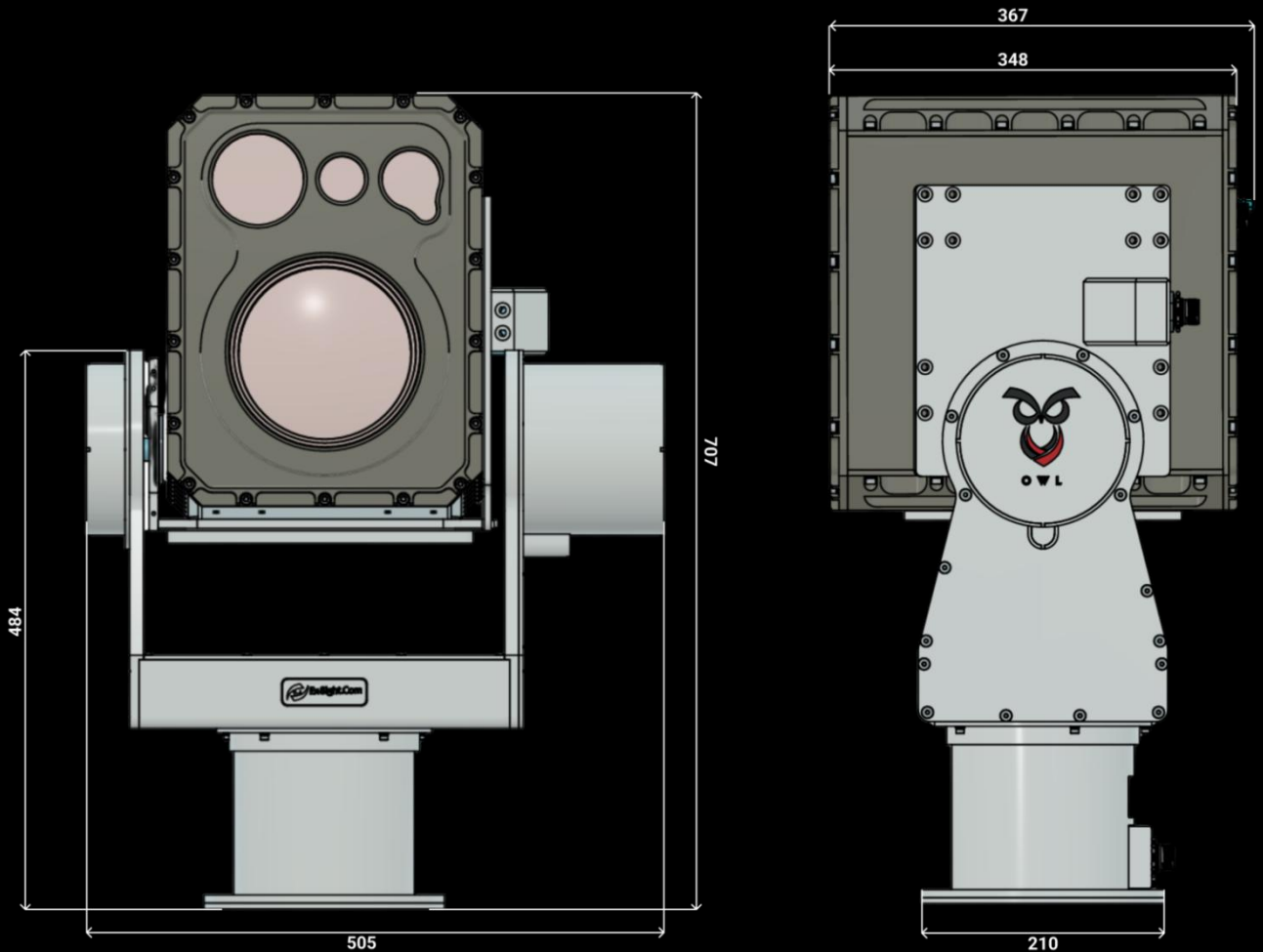
DEEPSIGHT

Integrated Electro-Optic Development Platform

MODELS: LWIR HD 25-225, SWIR HD 17-510

DIMENSIONS

OWL225 (LxWxH, mm) 484x505x210



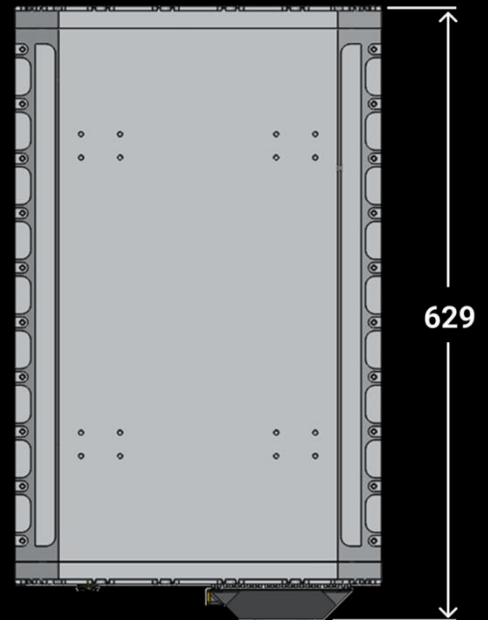
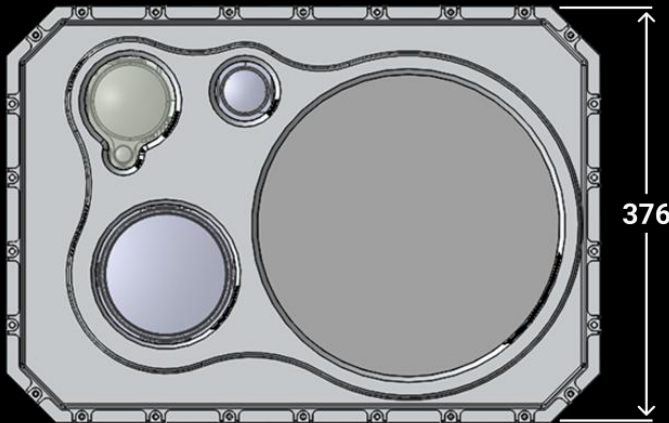
DEEPSIGHT

Integrated Electro-Optic Development Platform

MODELS: MWIR HD 50-1000, LWIR HD 30-300, LWIR HD 25-225 PRO, SWIR HD 17-510 PRO

DIMENSIONS

(LxWxH, mm) 376x629x536



DEEPSIGHT

Integrated Electro-Optic Development Platform

MODELS: MWIR HD 50-1000, LWIR HD 30-300, LWIR HD 25-225 PLUS, SWIR HD 17-510 PRO

DIMENSIONS

OWL1000 PT (LxWxH, mm) 777x765x629

