

2026 PRODUCT CATALOG

INTEGRATED ELECTRO-OPTICS PLATFORMS



EX-SIGHT ADVANCED ELECTRO-OPTICS

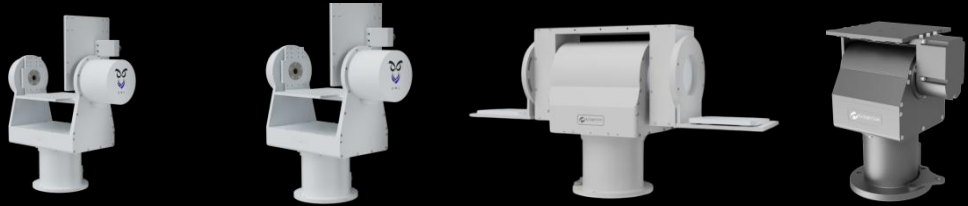
HDPT-SERIES

HEAVY DUTY STABILIZED PAN TILT POSITIONERS



HDPT-SERIES

HEAVY DUTY STABILIZED PAN TILT POSITIONERS

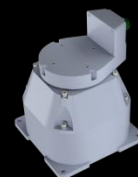


MODEL	OWL	OWL225	OMEGAΩ	ALMA
MOUNTING TYPE	U Mount	U Mount	Ω (OMEGA) TOP + Sides	Top Mount
TILT	Max ±90° Deg Max. Motor Torque (150 NM)			35 NM
PAN	Cont. 360° Deg Motor Torque (150 NM)			35 NM
TRUE NORTH INS GPS	INS DUAL ANTENNA GNSS-AIDED INERTIAL NAVIGATION*			
MAX.SPEED	20 RPM, up to 120°/sec			30 RPM, up to 180°/sec
MAX. PAYLOAD	50Kg	50Kg	70Kg	15Kg
DIMENSIONS LxWxH (mm)	416x210x442	505x255x624	794x210x419	218x163x296
WEIGHT(Kg)	22 kg	25 kg	32 kg	8,5 kg
IP RATE	IP66			
POWER	24-48VDC			



HDPT-SERIES

HEAVY DUTY STABILIZED PAN TILT POSITIONERS

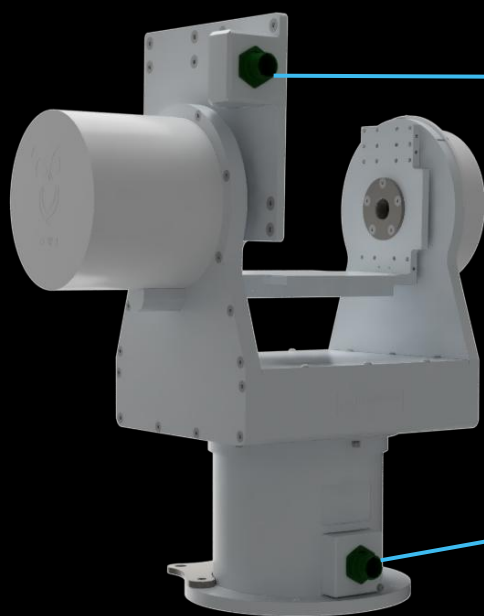


MODEL	ALMA	ADVA	COMPASS
MOUNTING TYPE	Top Mount	Top Mount	Top Mount
TILT	35 NM	35 NM	-
PAN	35 NM	-	35 NM
TRUE NORTH INS GPS	DUAL ANTENNA GNSS- AIDED INERTIAL NAVIGATION*	Optional VN100 INS/ VN200 INS	-
MAX.SPEED	30 RPM, up to 180°/sec		
MAX. PAYLOAD	15 Kg	9 Kg	9 Kg
DIMENSIONS LxWxH (mm)	218x163x296	232x210x158	
WEIGHT(Kg)	8,5 kg	3,5 Kg	4,5 Kg
IP RATE	IP66		
POWER	24-48VDC		



OWL-PT

HEAVY DUTY STABILIZED PAN TILT POSITIONER



② **D38999/23YC35SN**

PAYLOAD Mil. Std Stainless Steel connector

① **D38999/23YC35PN**

Base PT Mil. Std Stainless Steel connector

PANEL PIN LAYOUT (1)

D38999/23YC35PN Stainless Steel Hermetic Connector

PIN	DESCRIPTION
1	+48VDC POWER IN
2	+48VDC POWER IN
3	+48VDC POWER IN
4	+48VDC POWER IN
5	+48VDC POWER IN
6	+48VDC POWER IN
7	+48VDC POWER IN
8	GND POWER IN
9	GND POWER IN
10	GND POWER IN
11	GND POWER IN

PIN	DESCRIPTION
12	GND POWER IN
13	GND POWER IN
14	GND POWER IN
15	ETHERNET (1) TX+
16	ETHERNET (2) TX-
17	ETHERNET (3) RX+
18	NC
19	NC
20	ETHERNET2 (6) RX-
21	NC
22	NC

PANEL PIN LAYOUT (2)

D38999/23YC35SN Stainless Steel Hermetic Connector

PIN	DESCRIPTION
1	NC
2	NC
3	(+9 TO +36VDC) INPUT POWER
4	GND INPUT POWER
5	(+9 TO +36VDC) INPUT POWER
6	GND INPUT POWER
7	NC
8	NC
9	ETHERNET (1) TX+
10	ETHERNET (2) TX-
11	ETHERNET (3) RX+

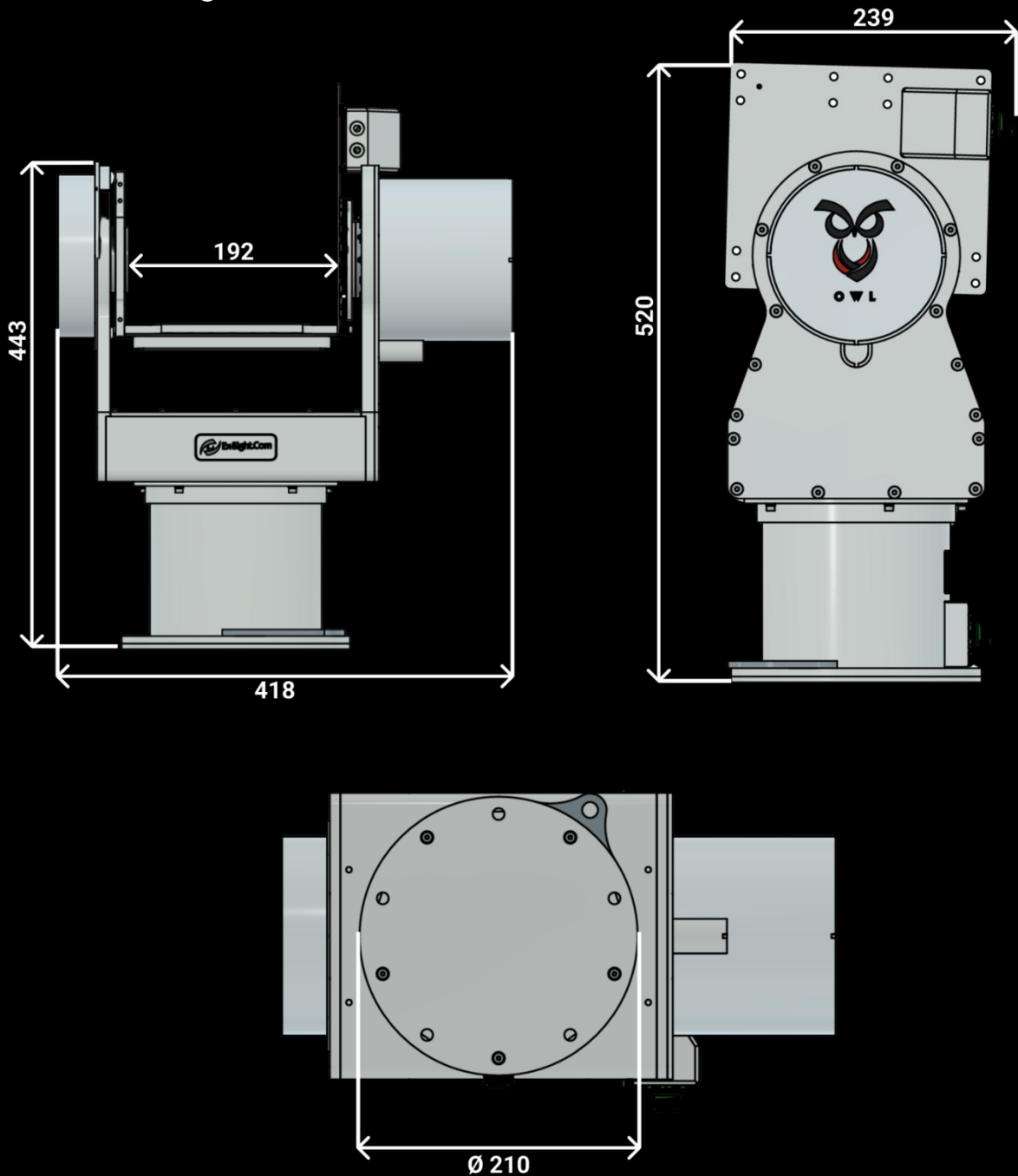
PIN	DESCRIPTION
12	ETHERNET (6) RX-
13	NC
14	NC
15	NC
16	NC
17	NC
18	NC
19	NC
20	NC
21	NC
22	NC

OWL-PT

HEAVY DUTY STABILIZED PAN TILT POSITIONER

DIMENSIONS without EO (LxWxH, mm) 442x416x210

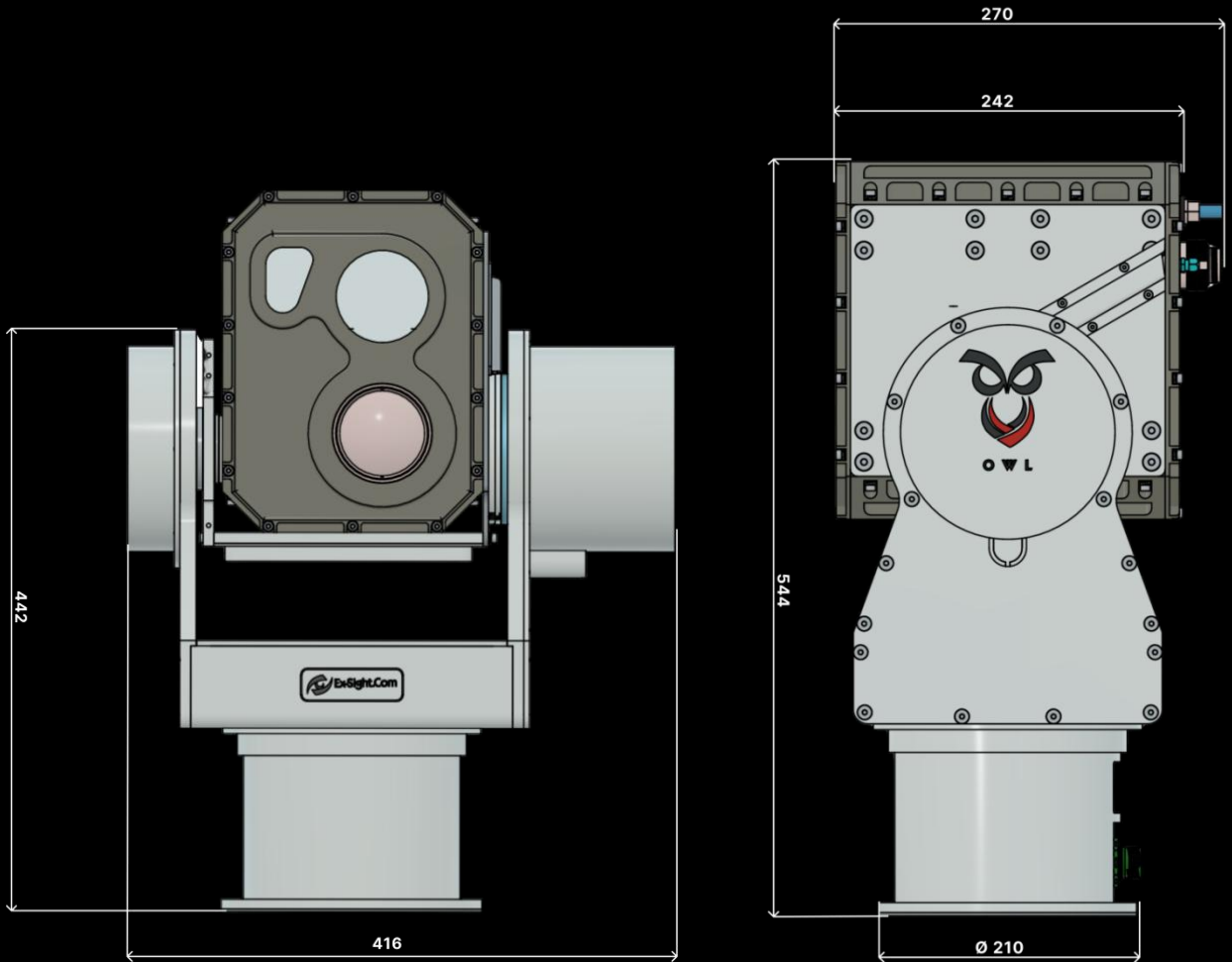
WEIGHT 16 kg



OWL-PT

HEAVY DUTY STABILIZED PAN TILT POSITIONER

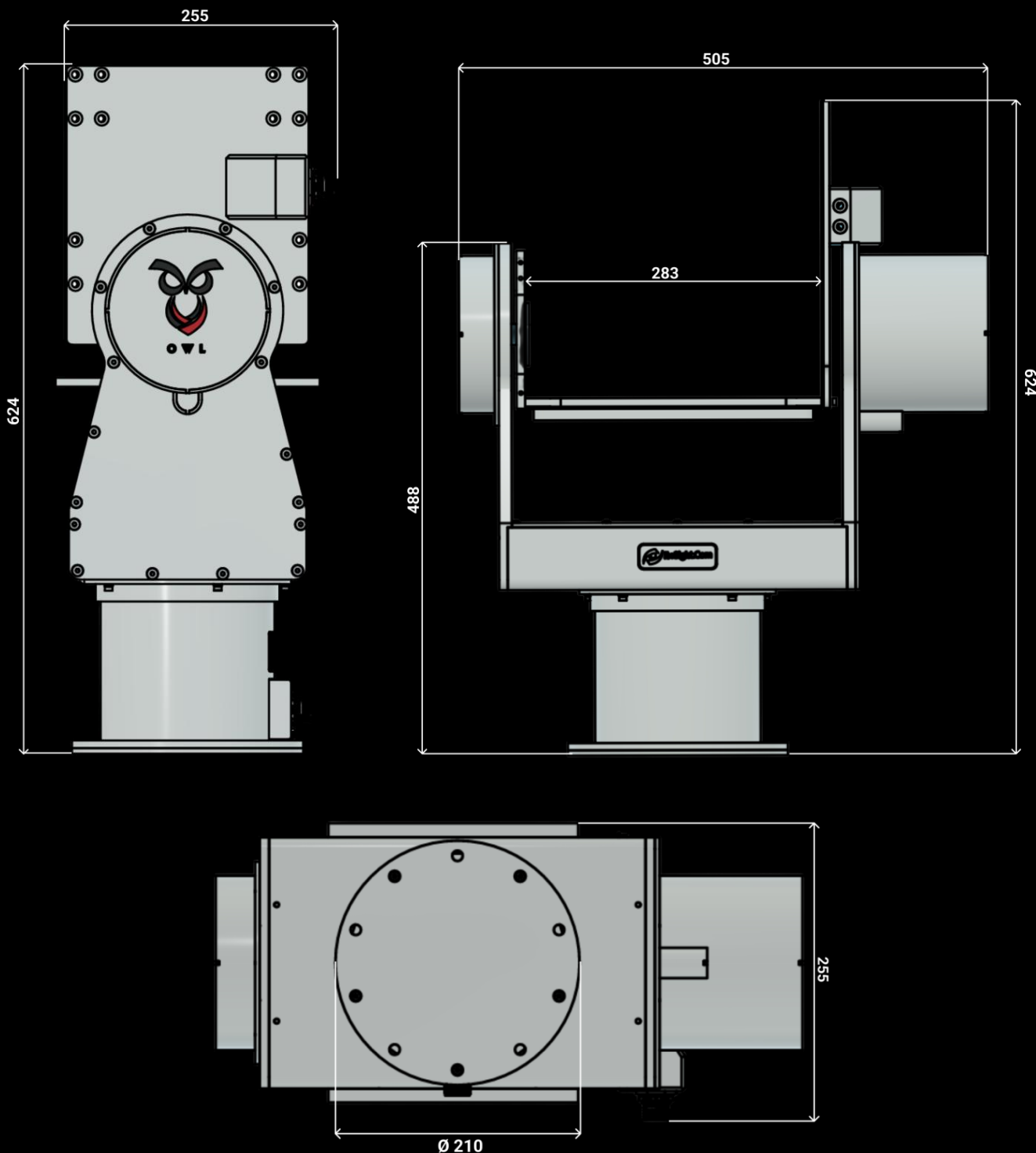
DIMENSIONS with camera (LxWxH, mm) 544x416x210



OWL-PT

HEAVY DUTY STABILIZED PAN TILT POSITIONER

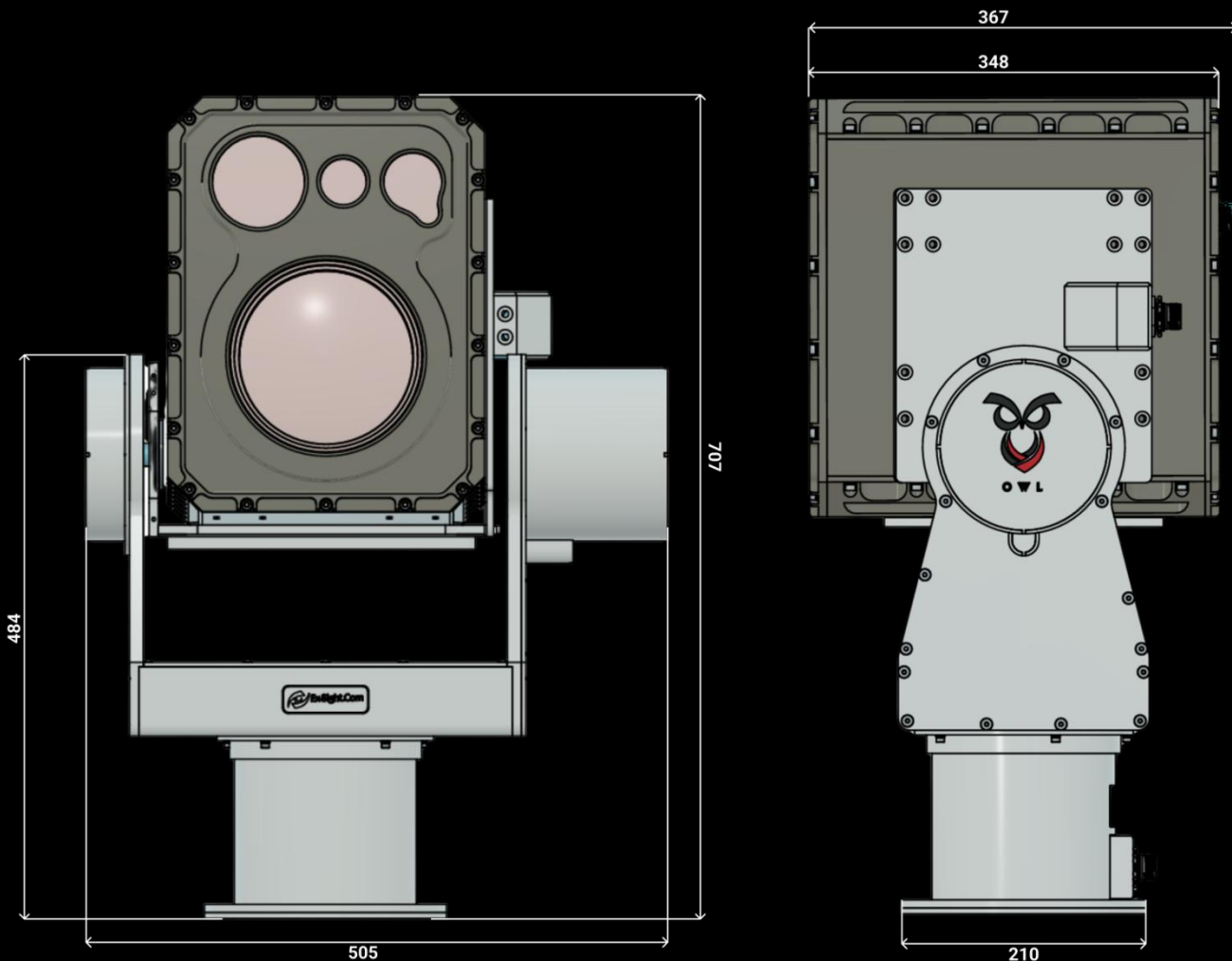
DIMENSIONS without camera (LxWxH, mm) 505x255x624
WEIGHT 18 kg



OWL-PT

HEAVY DUTY STABILIZED U-SHAPED PAN TILT POSITIONER

DIMENSIONS with camera (LxWxH, mm) 484x505x210

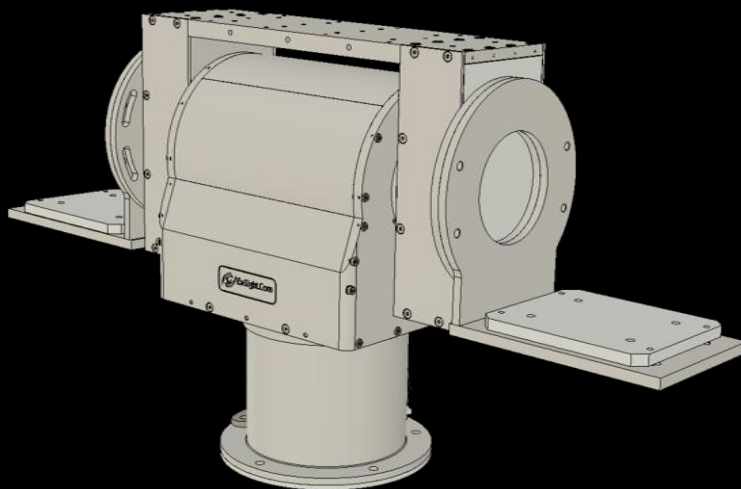
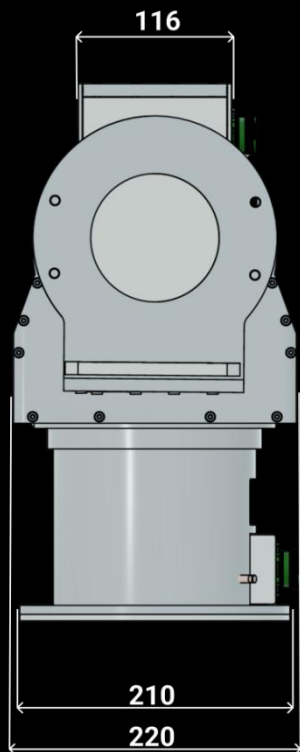
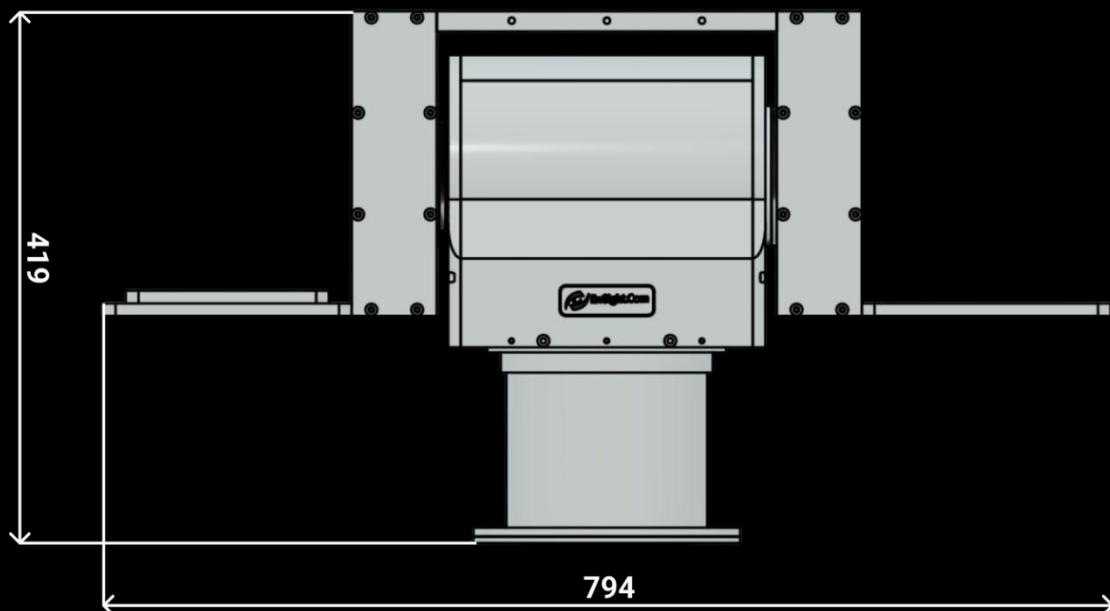


OMEGA-PT

HEAVY DUTY STABILIZED Ω-SHAPED PAN TILT POSITIONER

DIMENSIONS without camera (LxWxH, mm) 794x210x419

WEIGHT 16 kg



ALMA-PT

HEAVY DUTY MINI STABILIZED PAN TILT POSITIONER

DIMENSIONS without camera (LxWxH, mm) 218x163x296
WEIGHT 8,6 kg

